

### Recording Controller/Profiler

#### DESCRIPTION

The VersaChart is perfect for demanding applications requiring a high performance recorder/controller with custom ramp/soak capability. The Versachart provides powerful true time based profile capability and exceptional value per data. Using advanced printing technology, the Versachart produces a circle chart in four colors with alpha/ numeric chart characters for clear, accurate and readable charts that can be archived.

It is the only circle chart recorder to deliver up to 16 Profiles with up to 8 segments per profile. The profiling feature provides closed loop PID process control with the added capability of configurable setpoints as a function of time. Additionally, the profile feature includes actuators, parameters and a function block feature permitting logic equations. The entire recorder (recorder, controller and profile feature) is easy to setup with its innovative PC configuration port and available PC configuration software with security and single point data access features. A recovery feature is also part of the profile option which enables users to choose a course of action in the advent of power loss, preventing unnecessary process cycling. Finally, a guaranteed soak feature assures that the actual process variable during soak is within a pre-selected tolerance for the soak time to increase product quality and prevent waste/loss.

## MRC 9000™ VersaChart™

*Versatile Recorder,  
Powerful Controller!*

#### APPLICATIONS:

- Demanding Process Validation
- Trend Analysis
- Regulatory Compliance
- Product Safety

#### Applications:

- Temperature, Pressure and Relative Humidity

#### INDUSTRIES

Oven, chamber, furnaces, heat treating, food processing, harsh water environments

#### FEATURES/BENEFITS

- Micro-based recorder/controller with profile capability
- Four Pens and Four Colors
- Flexible chart sizes—Choose from 10–12" diameter
- Two displays—allowing you to see critical process values at the same time
- Easy, straightforward PC programming—allows you to configure your recorder with a logical step-by-step process using a simple keypad
- True time based profiling capability (including Four Process PID Loops, Recovery Action, Guaranteed Soak)—and up to 16 profiles— puts you in control of your process
- Reliability—maintenance free recording for years to come
- Excellent features/reasonable price

**George R. Peters Associates** ENGINEERING SALES REPRESENTATIVES

(248) 524-2211 • Fax (248) 524-1758

Web Site: [www.grpeters.com](http://www.grpeters.com)

 **DANAHER**  
INDUSTRIAL CONTROLS

[www.partlow.com](http://www.partlow.com) • [www.danaherindustrialcontrols.com](http://www.danaherindustrialcontrols.com)

**PARTLOW™ brand**

# MRC 9000™ VersaChart™

**Versatile Recorder,  
Powerful Controller!**

**Recording Controller/Profiler**

Recorders

## SPECIFICATIONS

### STANDARD FEATURES

**Modes:** Digital; record, controller or profile functionality.

**Display:** Two line, 40 character vacuum fluorescent display with 0.21" (5mm) high characters; 15 keys for programming and unit operation; display modes; automatic or manual sequencing; 3 display formats.

**Programmable Profiles:** Up to 8 user programmable profiles.

**Status Indicators:** 8 user-configurable red LED status indicators; real time clock for time and date stamping on chart output.

**Chart:** 10–12" circular chart; 100 charts furnished with each instrument.

**Chart Drive:** DC stepper motor.

**Chart Rotation:** User-configurable from 6 to 9999 hours per revolution.

**Chart Range:** Bottom and top of span –999999 to 999999 units.

**Pen Type:** Four disposable fiber tip pens.

**Pen Color:** Pen 1 (red); Pen 2 (green); Pen 3 (blue); Pen 4 (black).

**Memory Backup:** EEPROM and battery backed SRAM; 5 year minimum life.

**Construction/Enclosure:** Gasketed, cover, case and windows. Structural foam case and cover; optional door lock or glass window option.

### OPERATING CHARACTERISTICS

**Operating Temp:** 32° to 122°F (0° to 50°C).

**Storage Temp:** –40° to 149°F (–40° to 65°C).

**Ambient Temp.:** 0.04% of span per degree C deviation from 25°C.

**Humidity:** 0% to 90% non-condensing R.H.

**Vibration:** 0.5 to 100Hz @ 0.2g.

**Electro Static Discharge:** N/A

### ELECTRICAL

**Power Consumption:** 60VA max.

**Line Voltage:** 90–264VAC 50/60Hz..

### INPUTS

**Thermocouple:** J, K, T, R, S, E, B, N, G, D, C, Ni/Ni-Moly and Platinel II.

**RTD:** 100 ohm, platinum 100 or nickel 100, 1–2 wire; 0.00385 ohms or 0.00392/ohm/°C; –94° to 300°F (–70° to 150°C).

**RDT Excitation Current:** 1mA.

**DC Voltage:** 0 to 25mV, 0 to 100mV, 0 to 1V, 0 to 10V.

**DC Current:** 0–20mA or 4–20mA.

### OUTPUTS

#### CONTROL OUTPUTS:

**Relay:** SPST; 5.0A resistive @ 115VAC; 2.5A resistive, 1/8HP @ 230VAC.

**SSR Driver:** Open collector output; short circuit protected @ 100mA max; provides 4VDC @ 20mA or 3VDC @ 40mA.

**Current:** 0–20mA or 4–20mA; 650 ohm maximum load.

**ALARM/EVENT OUTPUTS (Options):**

**Number:** Up to four alarms for each of four process variables. Type: Process high/low and rate/rising and falling.

**Relay:** SPST/SPDT; 5.0A resistive @ 115VAC; 2.5A resistive @ 230VAC.

**SSR Driver:** Open collector output; short circuit protected @ 100mA max; provides 4VDC @ 20mA or 3VDC @ 40mA.

**Process Alarm:** Direct (High) or Reverse (Low) –999999 to 999999 units.

**Deviation Alarm:** Direct (deviation above setpoint) or Reverse (deviation below setpoint) –3000 to 3000 units.

**Deviation Band Alarm:** Open or closed 1 to 3000 units.

**Alarm Hysteresis:** Fully adjustable.

### PERFORMANCE

#### GENERAL:

**Input Measurement Error:** ±0.25% of measurement span reference accuracy.

**Ambient Temperature Error:** 0.01% of span per degree C deviation from 25°C.

**Cold Junction Compensation Error:** ±0.2% @ 25°C.

**Cold Junction Compensation Rejection:** 0 ±0.4°C from 25°C.

**Linearization Error:** TCs: ±0.25°C typical; ±0.5°C worst case with exceptions. RTDs: ±0.1°C typical; ±0.3°C worst case.

**Isolation:** 500VDC/350VAC.

**Chart Accuracy:** Recording: 0.3% of span. Chart Rotation: ±0.2 minutes for a 24 hour rotation, assuming all backlash removed, 6–9999 hours per revolution.



**George R. Peters Associates** ENGINEERING SALES REPRESENTATIVES

(248) 524-2211 • Fax (248) 524-1758

Web Site: [www.grpeters.com](http://www.grpeters.com)



[www.partlow.com](http://www.partlow.com) • [www.danaherindustrialcontrols.com](http://www.danaherindustrialcontrols.com)

Process Automation Worldwide Brands: LFE™ • Partlow™ • PMA™ • Rustrak™ • West™

**PARTLOW™ brand**

**MRC 9000™ VersaChart™**  
**Versatile Recorder,**  
**Powerful Controller!**

**Recording Controller/Profiler**

**SPECIFICATIONS**

**PERFORMANCE (cont'd)**

**Algorithm Accuracy:** N/A.  
**Scan Rate:** 2 scans/second; scan rate is programmable for each input with the limitation that a total of 16 measurements can be made in one second.  
**Noise Rejection:** Normal mode: 100dB minimum at 60Hz or greater. Common mode: 120dB minimum at 115VAC maximum.  
**Process Value Output Error Limit:** N/A.  
**Record Error Limit:** N/A.  
**Sensor Fault Detection:** Sensor break on all temperature controls, RTUs, 1 to 5 volt and 4–20mA inputs.  
**Transmitter Power Supply:** Up to 4 isolated 25mA @ 24VDC supplies available.  
**Data Backup:** EEPROM for input board and motherboard calibration data; battery backed SRAM for configuration data.

**COMMUNICATIONS INTERFACES**

**Communications Port:** RS-232/485 serial, half duplex.  
**Protocol:** Modbus RTU.  
**Bit Rate:** User-configurable 1200, 2400, 4800, 9600 baud.  
**Address:** User-configurable, 1–247.

**RATINGS/AGENCY APPROVALS**

**Safety:** UL 1092 File E67237; CSA Spec 142 File 67237; CE EN60010-1 1193/1995.  
**Immunity:** CE compliance EN50082-2.  
**Emissions:** CE compliance EN550081-1:1992; EN55022 Class A.  
**Hazardous Location:** ETL Listed Class 1 & II Division 2 and Class III, Division 1 & 2 Ref 56042.  
**Other:** ISO 9002 registered.

**PROTECTION**

NEMA 3 standard; NEMA 4 optional.

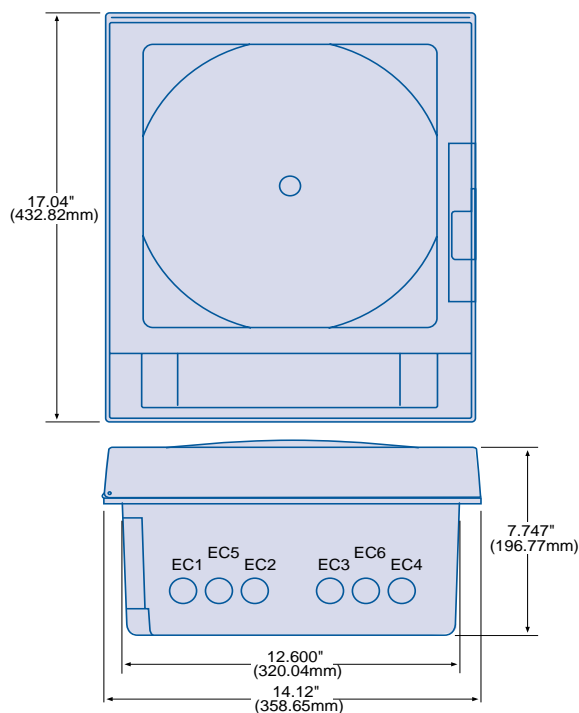
**PHYSICAL DIMENSIONS**

**Width:** 14.12" (359mm).  
**Depth:** 7.75" (197mm).  
**Height:** 16.77" (426mm).  
**Weight:** 25 lbs (9.1kg).  
**Mounting/Mounting Position:** Panel or wall.

**OPTIONS/ACCESSORIES**

Diverse pen options (see config.matrix for details).  
 Choose from up to 8 input options (see config.matrix for details).  
 Optional profiling feature—up to four loops in a single package.  
 NEMA 4 protection optional.  
 Diverse window and door lock options.  
 RS-232/485 communication option.

**DIMENSIONS**



**WARRANTY**

2 years.

Made in USA.

\* Specifications subject to change without notice in accordance with our DBS policy of continuous improvement. All product and brand names are trademarks of their respective companies. All rights reserved.

Partlow™ brand and MRC 9000™ are trademarks of Danaher Industrial Controls Group. All rights reserved.



+1 800.873.8731 • [www.partlow.com](http://www.partlow.com) • [www.danaherindustrialcontrols.com](http://www.danaherindustrialcontrols.com)

© 2005 DICG Corp.  
 Partlow Brand MRC 9000 Data Sheet (5/05)

# Recorders



**PARTLOW™ brand**

**Flow Controller**

**MRC 9000™ VersaChart™**  
**Versatile Recorder,**  
**Powerful Controller!**

## MODELS

Code 1: Model	Code 2: Type	Code 3: Pens/Colors	Code 4: Universal Inputs	Code 5: Required Zero	Code 6: Relay Outputs*	Code 7: SSRD Outputs	Code 8: 4-20mA Outputs	Code 9: Transmitter Power Supply	Code 10: Math/ Totalizer	Code 11: Digital Communications	Code 12: Enclosure Options	Code 13: Case Type and Mounting
<b>9</b>	<input type="checkbox"/>	<input type="checkbox"/>	<input type="checkbox"/>	<b>0</b>	<input type="checkbox"/>	<input type="checkbox"/>	<input type="checkbox"/>	<input type="checkbox"/>	<input type="checkbox"/>	<input type="checkbox"/>	<input type="checkbox"/>	<input type="checkbox"/>
MRC9000 VersaChart 4 Color Recorder/ Controller/ Profiler	1 Recorder Only 2 Controller 3 Profiler	1 One Trend, One Color** 2 Two Trend, Two Colors** 3 Three Trend Pens, Three Colors** 4 Four Trend Pens, Four Colors 5 One Trend Pen, Four Colors 6 Two Trend Pens, Four Colors 7 Three Trend Pens, Four Colors	1 One Input 2 Two Inputs 3 Three Inputs 4 Four Inputs		0 None 2 Two 4 Four 6 Six 8 Eight	0 None 2 Two SSR Drivers 4 Four SSR Drivers 6 Six SSR Drivers 8 Eight SSR Drivers	0 None 1 One 4-20mA Non-Isolated 2 Two 4-20mA Non-Isolated 3 One 4-20mA Isolated 4 Two 4-20mA Isolated 5 Three 4-20mA Isolated 6 Four 4-20mA Isolated	0 None 1 One Supply 2 Two Supplies 3 Three Supplies 4 Four Supplies	0 None 1 Math 2 Totalizer 1 Math & Totalizer	0 None 1 RS-232 /RS-485	1 Glass Window 2 Glass Window w/Door Lock*** 3 Plastic Window 4 Plastic Window w/Door Lock***	1 NEMA 3 Panel Mount 2 NEMA 4 Panel Mount

\* Total quantity of SPDT Relays and SSR Drivers must be less than or equal to eight.

\*\* Pens/colors are added to the instrument in the following order: red, then green, then blue, and then black.

\*\*\* Door Lock N/A with NEMA 4

Headquarters: 1675 Delany Road • Gurnee, IL 60031-1282 • USA  
 Phone: +1 847.662.2666 • Fax: +1 847.662.6633

Satellite Locations:  
 North America: North Carolina, South Carolina, Connecticut, Massachusetts, New York, Canada, British Virgin Islands • Europe: United Kingdom, Italy, France, Germany, Spain, Slovakia • Latin America: Brazil • Asia: China, Japan, Korea, Singapore

**George R. Peters Associates** ENGINEERING SALES REPRESENTATIVES

(248) 524-2211 • Fax (248) 524-1758

Web Site: [www.grpeters.com](http://www.grpeters.com)

**DANAHER INDUSTRIAL CONTROLS** [www.partlow.com](http://www.partlow.com) • [www.danaherindustrialcontrols.com](http://www.danaherindustrialcontrols.com)

Process Automation Worldwide Brands: LFE™ • Partlow™ • PMA™ • Rustrak™ • West™