



NOVATONE

Multi-Tone Electronic Audible



INTERNAL VOLUME CONTROL

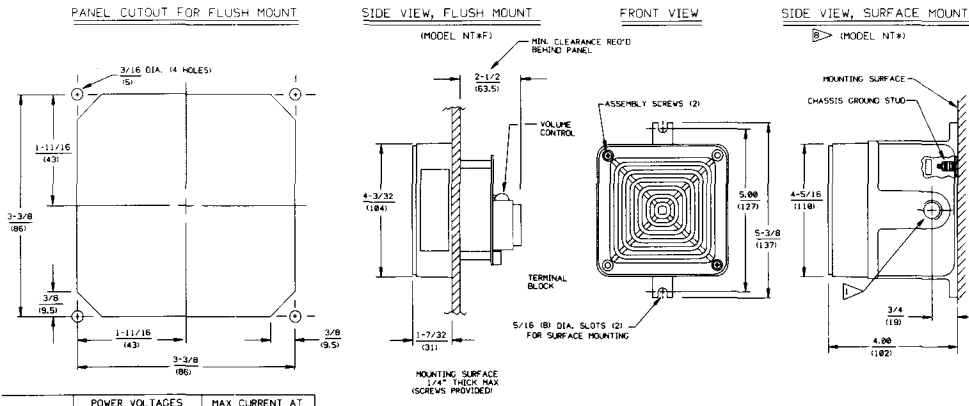
ONE OF 16 TONES—FIELD SELECTABLE

- | | |
|------------------|----------------------|
| 1. STEADY HI | 9. FAST CHIRP |
| 2. STEADY LO | 10. FAST WARBLE HI |
| 3. HI/LO-HI | 11. FAST WARBLE LO |
| 4. HI/LO-LO | 12. SIREN/HI-LO |
| 5. FAST HI/LO-HI | 13. FAST SIREN |
| 6. FAST HI/LO-LO | 14. SIREN LO |
| 7. BUZZ HI | 15. SIREN HI |
| 8. BUZZ LO | 16. INTERRUPTED WAIL |





NT2 and NT3

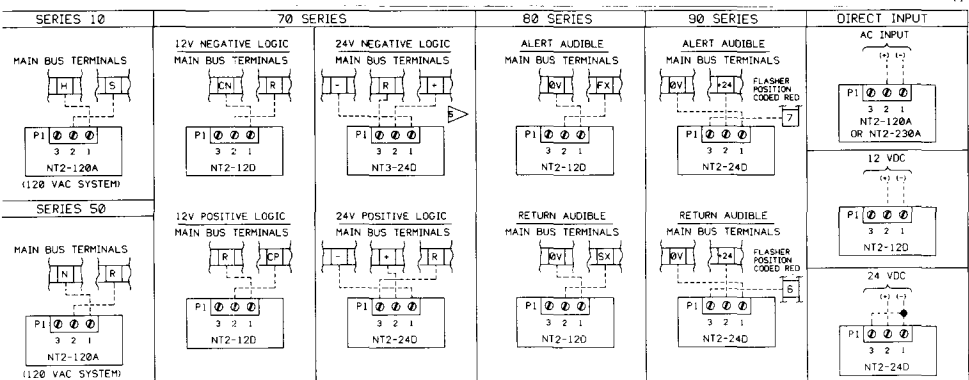
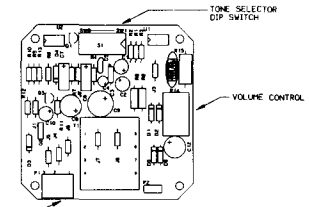


- NOTES
- ONE 1/2 INCH N.O.T. THREADED HOLE FOR 1/2 INCH CONDUIT.
 - MATERIAL AND FINISH: WIRING BOX, DIE CAST ALUMINUM ALLOY, GREY HAMPTONE FINISH. GRILL, GREY MOLDED POLYCARBONATE.
 - AUDIO OUTPUT: 88 DB NOMINAL AT 10 FEET
 - THE MODEL NT2-120 NOVATONE HORN MAY BE USED IN PLACE OF MODEL 90 "FRONTIER" HORN WHEN WIRED DIRECTLY TO 70 OR 80 SERIES ANNUNCIATOR. (ING RELAY IS REQUIRED). REFER TO APPLICABLE CUSTOMER WIRING DIAGRAM.
 - MODEL NT3-# ONLY.
 - DUTY CYCLE: CONTINUOUS
 - OPERATING TEMPERATURE: 0°C TO 50°C
 - NT2 AND NT3 ARE C.S.A. CERTIFIED PRODUCT.
 - SEE SHEET 2 FOR INSTRUCTIONS FOR MODIFYING ROUND NOVATONE PANEL CUTOUT TO ACCEPT NEW NOVATONE WITH "SQUARE" P.C.B.

MODEL NO.	POWER VOLTAGES			MAX CURRENT AT
	NOMINAL	MIN	MAX	
NT*-120	12VDC	10	15	.25A
NT*-120A	120VAC*	105	130	.075A
NT*-240	24VDC	20	30	.050A
NT*-230A	230VAC*	210	250	.02A

* = 50/60 Hz

NOTE: ALL DIMENSIONS ARE IN INCHES WITH CORRESPONDING MILLIMETER DIMENSIONS IN PARENTHESIS



TONE DESCRIPTION	DIP SWITCH SETTING (● = ON POSITION)						
	SW1	SW2	SW3	SW4	SW5	SW6	SW7
1. STEADY HI							
2. STEADY LO							
3. HI/LO-HI							
4. HI/LO-LO							
5. FAST HI/LO-HI							
6. FAST HI/LO-LO							
7. BUZZ HI							
8. BUZZ LO							
9. FAST CHIRP							
10. FAST WARBLE HI							
11. FAST WARBLE LO							
12. SIREN/HI-LO							
13. FAST SIREN							
14. SIREN LO							
15. SIREN HI							
16. INT. MAIL							

TERMS

Net 30 days, F.O.B., factory, freight collect. Shipments are normally made by Parcel Post, Truck or U.P.S. For faster shipment, specify Air Freight, Air Parcel Post, etc.

CONFIRMATION

Avoid duplication of Purchase Order by marking confirming Purchase Order "CONFIRMATION."

WARRANTY

Three year warranty in accordance with terms and conditions of sale, Form AP-85.

DELIVERY

Normal delivery is approximately two (2) weeks. However, please check with your nearest PANALARM representative's office.

Specifications and designs subject to change without notice.

AMETEK PROCESS AND ANALYTICAL INSTRUMENTS DIVISION



PANALARM BUSINESS UNIT 7401 N. Hamlin Avenue, Skokie, IL 60076, USA. Tel +1 847 675 2500 Fax +1 847 675 3011

Europe, Middle East and Africa Sales:

PANALARM Ltd. Eastern Way, Bury St. Edmunds, Suffolk IP32 7AQ, England, Tel +44 1284 764921 Fax +44 1284 753541

Pacific Rim Sales:

AMETEK SINGAPORE Private Ltd. 10 Ang Mo Kio Street 65, #05-12 TECHPOINT, Singapore 2056. Tel +65 484 2388 Fax +65 481 6588