

# Model 57 Annunciator

FOR NUCLEAR FUEL STORAGE AND MANUFACTURING FACILITIES, BIOHAZARD MATERIAL MANUFACTURE AND HANDLING FACILITIES, AND EXPLOSIVES MANUFACTURING FACILITIES



## ANNUNCIATOR

AMETEK's Model 57 self-contained single alarm point annunciator provides dedicated annunciation for a single field contact. Applications exist where a single process variable, or multiple isolated process variables, are so important to the success of the process or the safety of the plant personnel that a single point of dedicated annunciation has no substitute.

The Model 57 does not have or require a power supply. The unit is powered directly from either a 120 VAC or 125 VDC source. The annunciator connects to a dry contact in the field and provides the wetting voltage of 120 VAC or 125 VDC, dependent upon its power source. All units are suitable for wall mounting. Select either a NEMA 4 or 4X style enclosure. Acknowledge and test switch and integral bull's-eye lamp are standard. You have the option of selecting a factory-mounted strobe light and integral horn. The unit is field selectable to monitor a Normally Open or Normally Closed field contact. A retransmit output contact is available (N.O. or N.C.) and must be specified when ordering. We are dedicated to providing dedicated annunciation.

AMETEK's Model 57 annunciator can be found providing dedicated annunciation in facilities requiring the utmost protection such as those related to the manufacture and storage of nuclear fuel, biohazard material manufacture and handling, and explosives manufacturing. The unit is ideal for mounting in the field at the critical point being monitored. Safety and swift alarm notification are extremely important to all personnel involved in the manufacture, transfer or storage of hazardous materials. If your process leaves no room for error dedicated annunciation provided by AMETEK's self-contained Model 57 annunciator is for you!



## FEATURES AND BENEFITS

- Provides dedicated annunciation
- Completely self-contained
- Weather proof wall mount enclosures
- Integral Ack/Test switch
- Integral bullseye lamp
- Optional factory mounted horn
- Optional factory mounted strobe light

**AMETEK**<sup>®</sup>

**POWER  
INSTRUMENTS**

*Experience the Power™*

## SPECIFICATIONS

### Input Power Source

- 120 VAC, 220 VAC, 125 VDC or 24 VDC

### Illumination

- Integral bullseye lamp
- Optional strobe light

### Field Termination

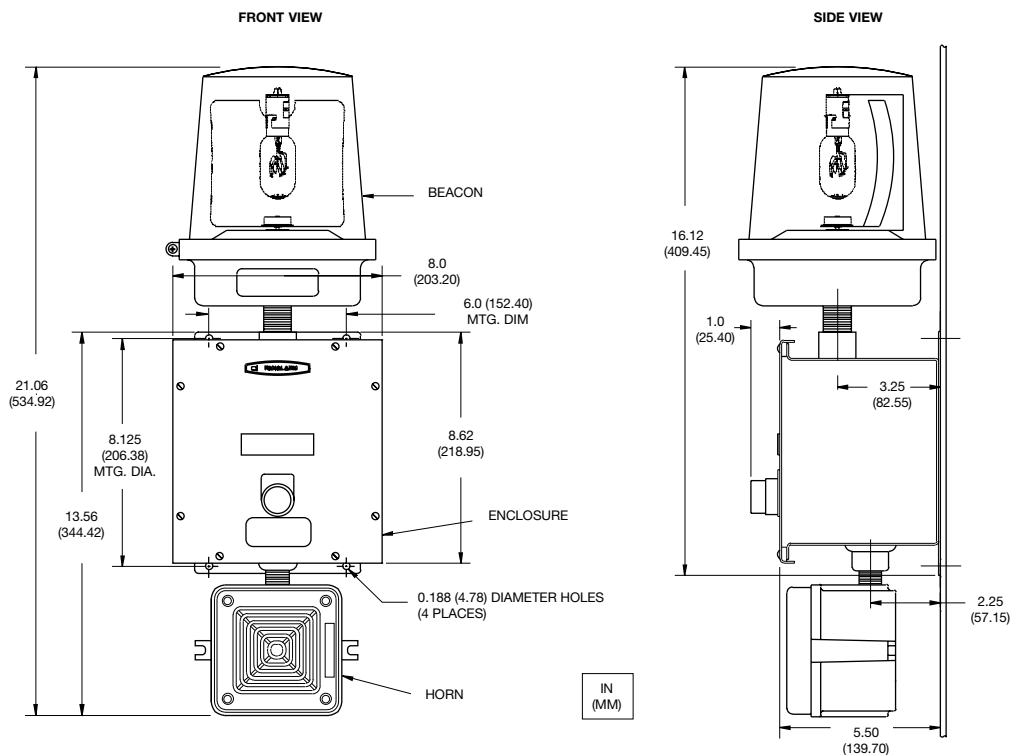
- 12 AWG solid or stranded wire

### Cabinet

- NEMA 4 metal enclosure
- NEMA 4X plastic enclosure

### Environmental

- Storage: -40° to 185°F (-40° to 85°C)
- Operating: 32° to 122°F (0° to 50°C)
- Hermetically sealed relay logic



- NOTES:  
 1. ENCLOSURES FINISH, BLACK SATIN BAKED ENAMEL. WIRING BOX AND HORN, DIE CAST ALUMINUM ALLOY, GRAY HAMMER TONE FINISH. DIAPHRAGM STAINLESS STEEL. BEACON, GRAY CASE BASE.



For customer support call:

#### POWER INSTRUMENTS

1725 Western Drive  
 West Chicago, IL 60185  
 Tel: 630.231.5900  
 Fax: 630.231.4502  
 power.industrial@ametek.com

#### HEADQUARTERS

AMETEK Power Instruments  
 50 Fordham Road  
 Wilmington, MA 01887  
 Tel: 978.988.4903  
 Fax: 978.988.4990  
 power.industrial@ametek.com

**George R. Peters Associates** ENGINEERING  
SALES REPRESENTATIVES

(800) 929-5972 • Fax (248) 524-1758

Web Site: [www.grpeters.com](http://www.grpeters.com)



ISO 9001 Certified

Effective Date: February 1, 2009

# PANALARM SINGLE POINT ANNUNCIATORS

*Reference Bulletin 5711*

The Model 57 self contained single point annunciator is available in either a NEMA 4 sheet metal enclosure (57M11) or a NEMA4X polycarbonate enclosure (57P11).

The Bullseye indicator lamp and a test/acknowledge switch are mounted on the front of the unit. The beacon or strobe is mounted on the top and the horn is mounted on the bottom if the unit includes these items. Two indicator lamp sequences are available; AO, non flashing in the alert state, or AF, flashing in the alert state.

The alarm plug-in relay used in the Model 57 has an isolated auxiliary contact for communication with other equipment. The 50-A1 Plug-In Relay has a normally open contact that closes on alert and the 50-A3 a normally closed that opens on alert.

The following five models were developed for the Savannah River plants.

Code	Description
57M11A	"AO", 50A1, 120VAC, Functional Test, White Lamp, No Ack Switch
57M11B	"AO", 50A1, 120VAC, HSA, Functional Test, No Lamp, No Ack Switch
57M11C	"AO", 50A1, 120VAC, Beacon, Functional Test, No Lamp, No Ack Switch
57M11D	"AO", 50A1, 120VAC, Beacon, HSA, Functional Test, No Lamp, No Ack Switch
57M11E	"AF", 50A1, 120VAC, HSA, Functional Test, White Lamp, No Ack Switch

The following models are available with a NEMA 4 sheet metal enclosure only

Code	Description
57M11X01	"AF", 50A1, 120VAC, Red Lamp, Lamp Test & Ack Switch
57M11X02	"AO", 50A1, 120VAC, Red Lamp, Lamp Test & Ack Switch
57M11X03	"AO", 50A3, 24VDC, Amber Lamp, NT2-24D, Lamp Test & Ack Switch
57M11X05	"AF", 50A1, 240VAC, Red Lamp, Lamp Test & Ack Switch
57M11X06	"AO", 50A1, 120VAC, Red Lamp, NT2-120A, Lamp Test & Ack Switch
57M11X07	"AF", 50A3, 120VAC, Red Lamp, Lamp Test & Ack Switch
57M11X09	"AO", 50A1, 120VAC, Red Beacon, HSA, Functional Test & Ack Switch (UL Listed)
57M11X13	"AO", 50A3, 120VAC, Red Lamp, Lamp Test & Ack Switch
57M11X14	"AO", 50A1, 120VAC, White Lamp Functional Test & Ack Switch
57M11X18	"AO", 50A1, 120VAC, Beacon (Blue), HSA, Functional Test & Ack Switch
57M11X19	"AO", 50A1, 120VAC, Beacon (Amber), HSA, Functional Test & Ack Switch
57M11X20	"AF", 50A1, 120VAC, Red Dome Light, HSA Horn, Test & Ack Switch
57M11X21	<b>SPECIAL LAMP CABINET, Red Dome Light, HSA Horn, used with 57M11X20</b>
57M11X22	"AF", 50A1, 120VAC, Amber Lamp, NT2-120A, Lamp Test & Ack Switch
57M11X23	"AO", 50A3, 24VDC, Amber Beacon, NT2-24D, Lamp Test & Ack Switch
57M11X24	"AF", 50A1, 125DC, Red Lamp, HSD-125D, Lamp Test & Ack Switch
57M11X26	"AO", 50A1, 120VAC, Red Strobe, HSA, Functional Test, No Lamp, No ACK Switch
57M11X29	"AF", 50A1, 120VAC, Red Lamp, NT2-120A, Lamp Test & Ack Switch
57M11X30	"AF", 50A3, 120VAC, Red Dome Light, HSA Horn, Test & Ack Switch
57M11X31	"AO", 50A1, 120VAC, Red Beacon & Red Lamp, HSA, Functional Test & Ack Switch
57M11X32	AO, 50A1, 24VDC, Red Strobe, NT2-24D, Functional Test & Ack

CONTINUED

The following models are available with a NEMA 4X polycarbonate enclosure only

Code	Description
57P11X01	"AF", 50A1, 120VAC, Red Lamp, Lamp Test & Ack Switch
57P11X02	"AO", 50A1, 120VAC, Red Lamp, Lamp Test & Ack Switch
57P11X03	"AO", 50A3, 24VDC, Amber Lamp, NT2-24D, Lamp Test & Ack Switch
57P11X07	"AF", 50A3, 120VAC, Red Lamp, Lamp Test & Ack Switch
57P11X08	"AF", 50A1, 120VAC, No Lamp, No Test or Ack Switch
57P11X10	"AO", 50A1, 125VDC, Red Lamp, Lamp Test & Ack Switch
57P11X11	"AO", 50A1, 24VDC, Red Lamp, Functional Test & Ack Switch
57P11X12	"AF", 50A1, 120VAC, Red Lamp, HSA, Functional Test & Ack Switch
57P11X14	"AO", 50A1, 120VAC, White Lamp Functional Test & Ack Switch
57P11X15	"AO", 50A3, 24VDC, Red Lamp, NT2-24D, Lamp Test & Ack Switch
57P11X17	"AF", 50A1, 120VAC, Red Lamp, HSA Horn, w/ (2) Function Test & Ack Switch